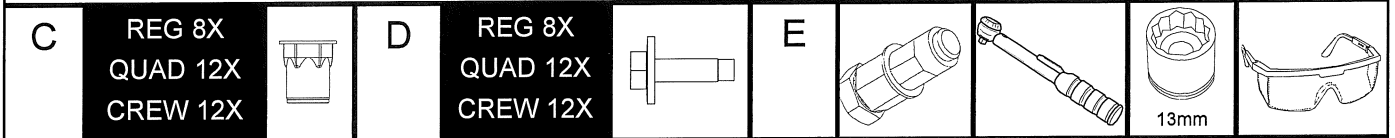
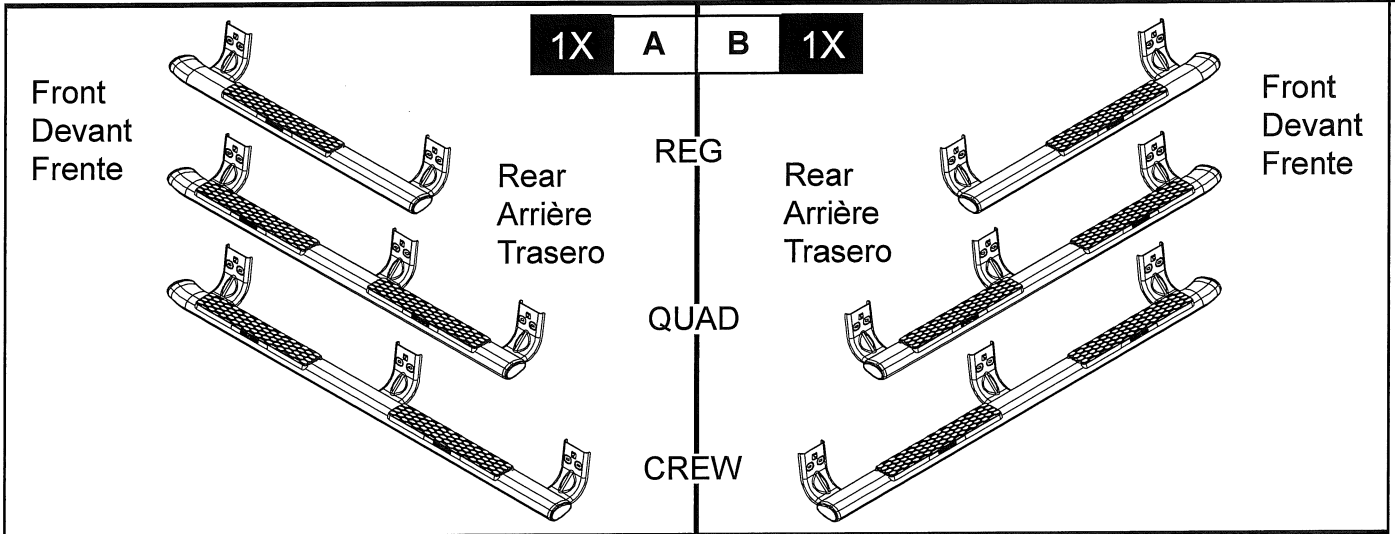


DODGE RAM SIDE STEP  
ESTRIBO DODGE RAM  
ESQUIVER LE MEMOIRE RAM

MOPAR®



**1**  
**REG**

Lubricate the riv-nut tool by dipping the tool into the lubrication mixture of 1 part liquid dish detergent in 10 parts of water

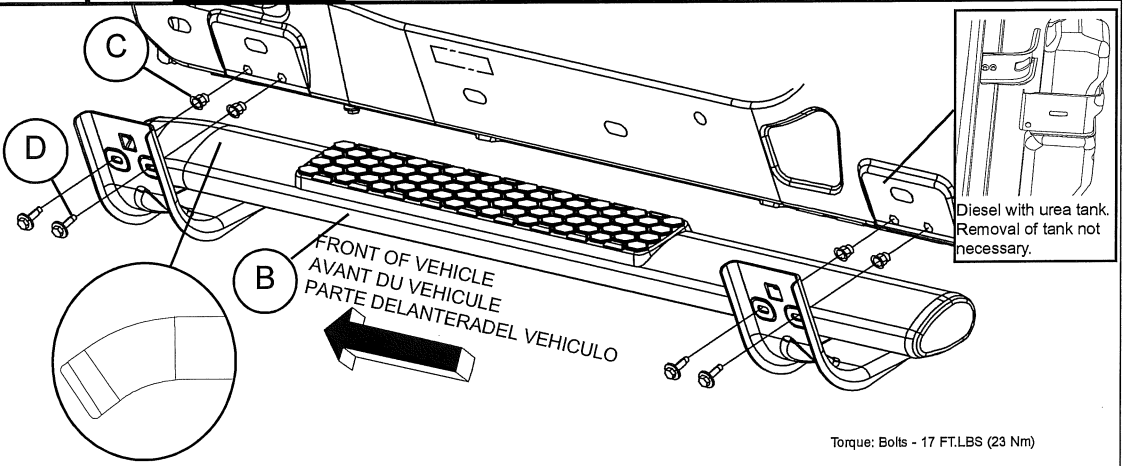
Screw riv-nut tool pt# 82212003 into the riv-nut until finger tight.

Apply 25 Nm of torque to the riv-nut tool. If a torque wrench is not available rotate the riv-nut tool for 3.5 turns +/- 0.25 turn to ensure riv-nut is fully collapsed.

Important: Upon installation riv-nut flange should be flat and tight to the sheet metal. Riv-nut should not have any slack.

Caution: Use riv-nut tool pt# 82212003 to properly install riv-nuts. Do not use any other method to collapse riv-nuts.

Re-lubricate the riv-nut tool before installing every rivnut.



**2**  
**QUAD/CREW**

Lubricate the riv-nut tool by dipping the tool into the lubrication mixture of 1 part liquid dish detergent in 10 parts of water

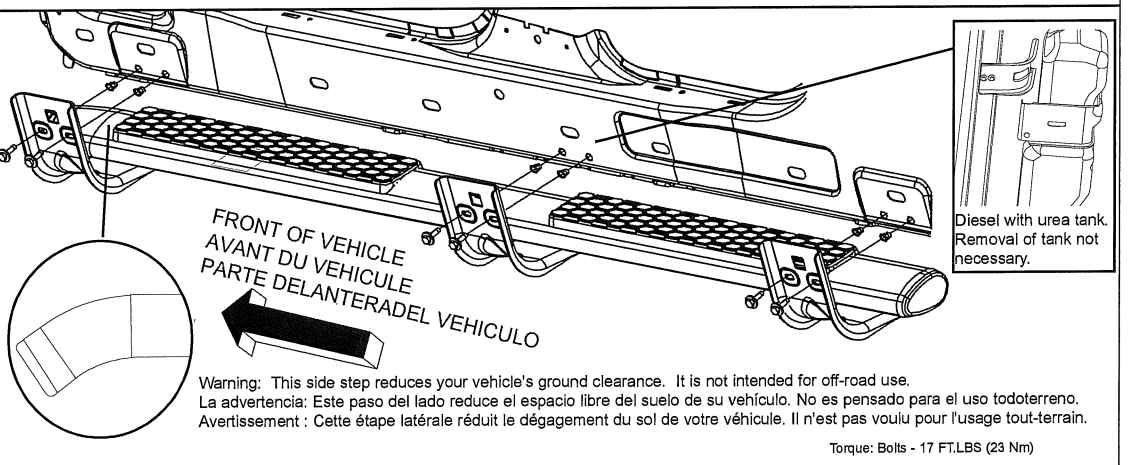
Screw riv-nut tool pt# 82212003 into the riv-nut until finger tight.

Apply 25 Nm of torque to the riv-nut tool. If a torque wrench is not available rotate the riv-nut tool for 3.5 turns +/- 0.25 turn to ensure riv-nut is fully collapsed.

Important: Upon installation riv-nut flange should be flat and tight to the sheet metal. Riv-nut should not have any slack.

Caution: Use riv-nut tool pt# 82212003 to properly install riv-nuts. Do not use any other method to collapse riv-nuts.

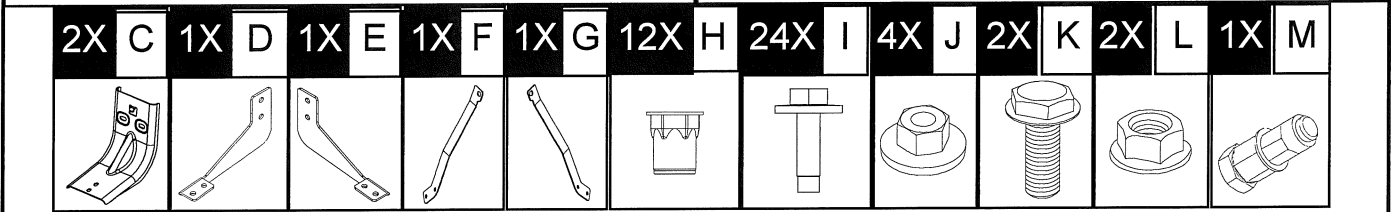
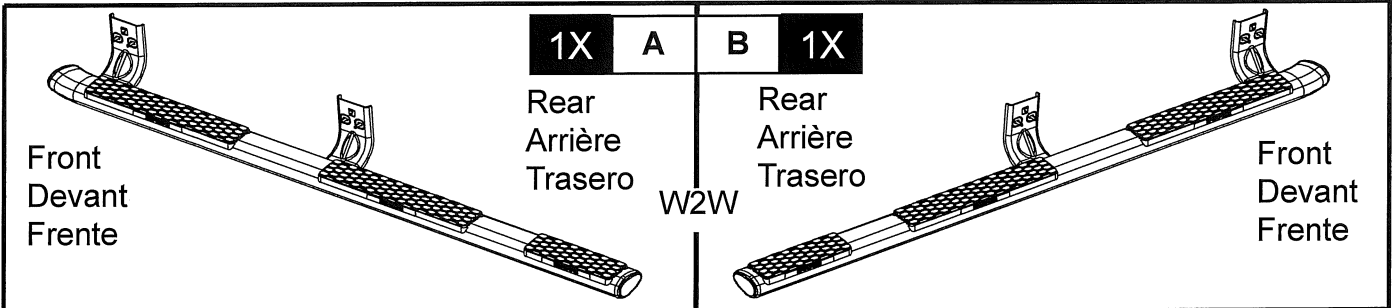
Re-lubricate the riv-nut tool before installing every rivnut.



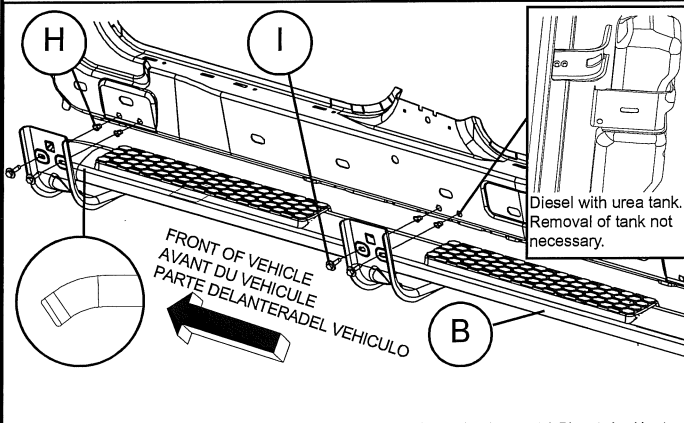
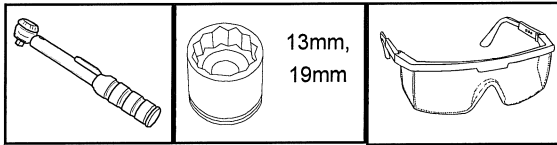
Warning: This side step reduces your vehicle's ground clearance. It is not intended for off-road use.  
La advertencia: Este paso del lado reduce el espacio libre del suelo de su vehículo. No es pensado para el uso todoterreno.  
Avertissement: Cette étape latérale réduit le dégagement du sol de votre véhicule. Il n'est pas voulu pour l'usage tout-terrain.



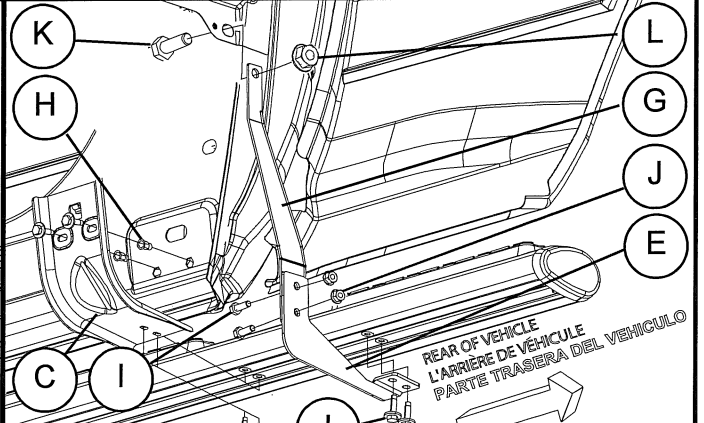
PASSENGER SIDE SHOWN  
 EI LADO del PASAJERO MOSTRADO  
 LE PASSAGER PREND PARTI MONTRE



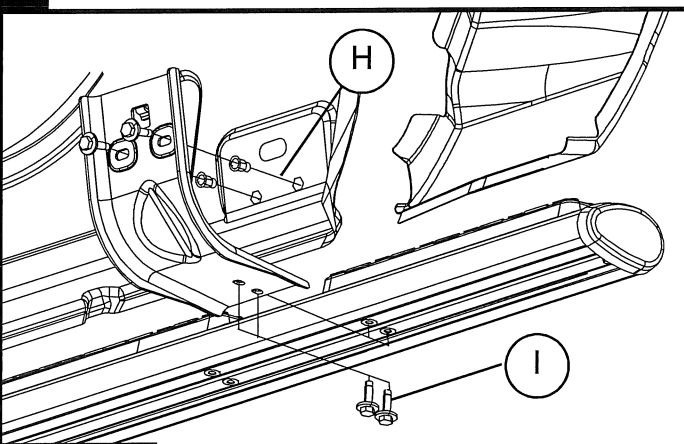
Lubricate the riv-nut tool by dipping the tool into the lubrication mixture of 1 part liquid dish detergent in 10 parts of water  
 Caution: Use riv-nut tool pt# 82212003 to properly install riv-nuts. Do not use any other method to collapse riv-nuts.  
 Screw riv-nut tool pt# 82212003 into the riv-nut until finger tight.  
 Apply 25 Nm of torque to the riv-nut tool. If a torque wrench is not available rotate the riv-nut tool for 3.5 turns +/- 0.25 turn to ensure riv-nut is fully collapsed.



**1** Important: Upon installation riv-nut flange should be flat and tight to the sheet metal. Riv-nut should not have any slack. Re-lubricate the riv-nut tool before installing every rivnut.



**2 QUAD**



**2 CREW**  
 Torque: Bolts - 17 FT.LBS (23 Nm)

**TORQUE:**  
 Rivnut - 17FT.LBS (25Nm) or 3.5 turns from finger tight  
 M8 - 17 FT.LBS (23 Nm)  
 M12 - 60 FT.LBS (81 Nm)

Note: Crew cab dispose of remaining items.

Warning: This side step reduces your vehicle's ground clearance. It is not intended for off-road use.

La advertencia: Este paso del lado reduce el espacio libre del suelo de su vehículo. No es pensado para el uso todoterreno.

Avertissement : Cette étape latérale réduit le dégagement du sol de votre véhicule. Il n'est pas voulu pour l'usage tout-terrain.